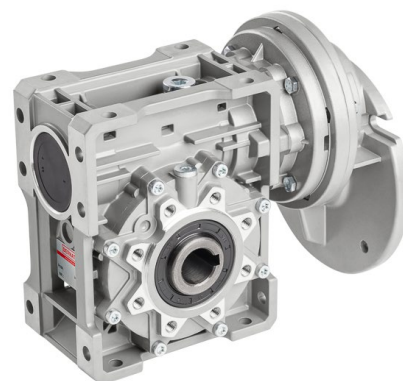


**Data Sheet**

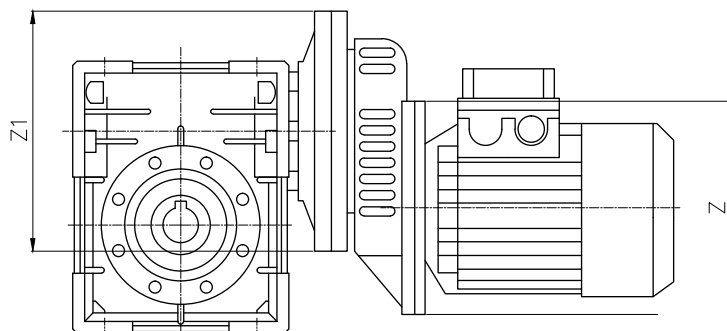
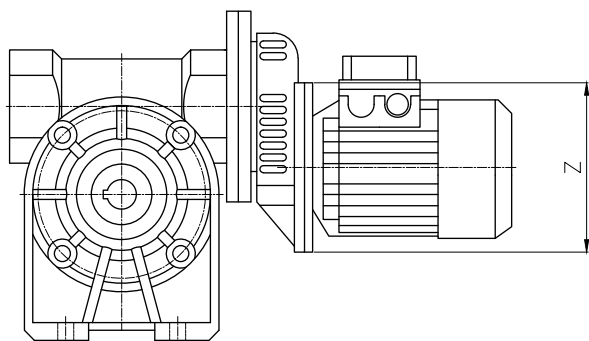
**BV Series - BVPC Type - 63**

| Type        | SIZE | i= | PAM  |
|-------------|------|----|------|
| <b>BVPC</b> | 63   | 3  | 63B5 |
|             | 71   | 3  | 71B5 |
|             | 80   | 3  | 80B5 |



|         | Z      | Z1     |
|---------|--------|--------|
| BVPC 63 | 11/140 | 11/105 |
| BVPC 71 | 14/160 | 14/120 |
| BVPC 80 | 19/200 | 19/160 |

Example of a product key: **BVPC 80/090 168 80B5 B3**



**Data Sheet**

**BV Series - BVPC Type - 63**

| Type           | i-ratio | n2 r/min | Kw=P1 | Nm=T2 |
|----------------|---------|----------|-------|-------|
| BVPC<br>63/040 | 105     | 13.3     | 0.12  | 42    |
|                | 138     | 10.1     | 0.12  | 42    |
|                | 180     | 7.8      | 0.12  | 46    |
|                | 210     | 6.7      | 0.12  | 40    |
|                | 300     | 4.7      | 0.12  | 36    |

| Type           | i-ratio | n2 r/min | Kw=P1 | Nm=T2 |
|----------------|---------|----------|-------|-------|
| BVPC<br>63/050 | 108     | 12.9     | 0.18  | 72    |
|                | 135     | 10.4     | 0.18  | 85    |
|                | 180     | 7.8      | 0.12  | 65    |
|                | 210     | 6.7      | 0.12  | 67    |
|                | 240     | 5.8      | 0.12  | 58    |
|                | 300     | 4.7      | 0.12  | 58    |

| Type           | i-ratio | n2 r/min | Kw=P1 | Nm=T2 |
|----------------|---------|----------|-------|-------|
| BVPC<br>71/050 | 84      | 16.7     | 0.25  | 80    |
|                | 108     | 12.9     | 0.25  | 90    |
|                | 135     | 10.4     | 0.25  | 90    |

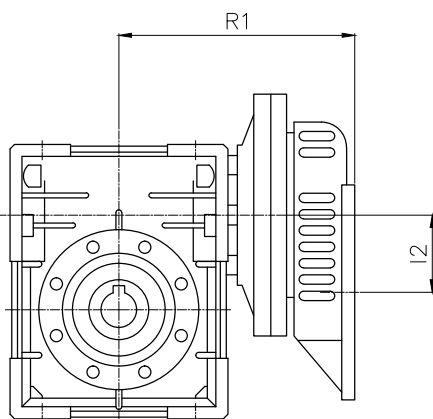
| Type           | i-ratio | n2 r/min | Kw=P1 | Nm=T2 |
|----------------|---------|----------|-------|-------|
| BVPC<br>71/063 | 114     | 12.3     | 0.37  | 170   |
|                | 135     | 10.4     | 0.37  | 176   |
|                | 192     | 7.3      | 0.25  | 149   |
|                | 240     | 5.8      | 0.25  | 130   |
|                | 300     | 4.7      | 0.25  | 120   |

| Type           | i-ratio | n2 r/min | Kw=P1 | Nm=T2 |
|----------------|---------|----------|-------|-------|
| BVPC<br>71/075 | 120     | 11.7     | 0.55  | 280   |
|                | 150     | 9.3      | 0.37  | 215   |
|                | 180     | 7.8      | 0.37  | 235   |
|                | 240     | 5.8      | 0.37  | 210   |
|                | 300     | 4.7      | 0.25  | 275   |

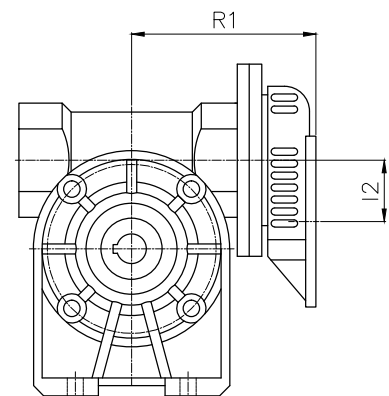
| Type           | i-ratio | n2 r/min | Kw=P1 | Nm=T2 |
|----------------|---------|----------|-------|-------|
| BVPC<br>80/075 | 90      | 15.6     | 0.75  | 310   |
|                | 120     | 11.7     | 0.75  | 300   |
|                | 150     | 9.3      | 0.75  | 260   |

| Type           | i-ratio | n2 r/min | Kw=P1 | Nm=T2 |
|----------------|---------|----------|-------|-------|
| BVPC<br>71/090 | 168     | 8.3      | 0.55  | 350   |
|                | 192     | 7.3      | 0.37  | 280   |
|                | 240     | 5.8      | 0.37  | 290   |
|                | 300     | 4.7      | 0.37  | 275   |

| Type           | i-ratio | n2 r/min | Kw=P1 | Nm=T2 |
|----------------|---------|----------|-------|-------|
| BVPC<br>80/090 | 120     | 11.7     | 0.75  | 390   |
|                | 138     | 10.1     | 0.75  | 360   |
|                | 168     | 8.3      | 0.55  | 350   |
|                | 192     | 7.3      | 0.55  | 330   |
|                | 240     | 5.8      | 0.55  | 305   |



**BVPC 063-075-090**



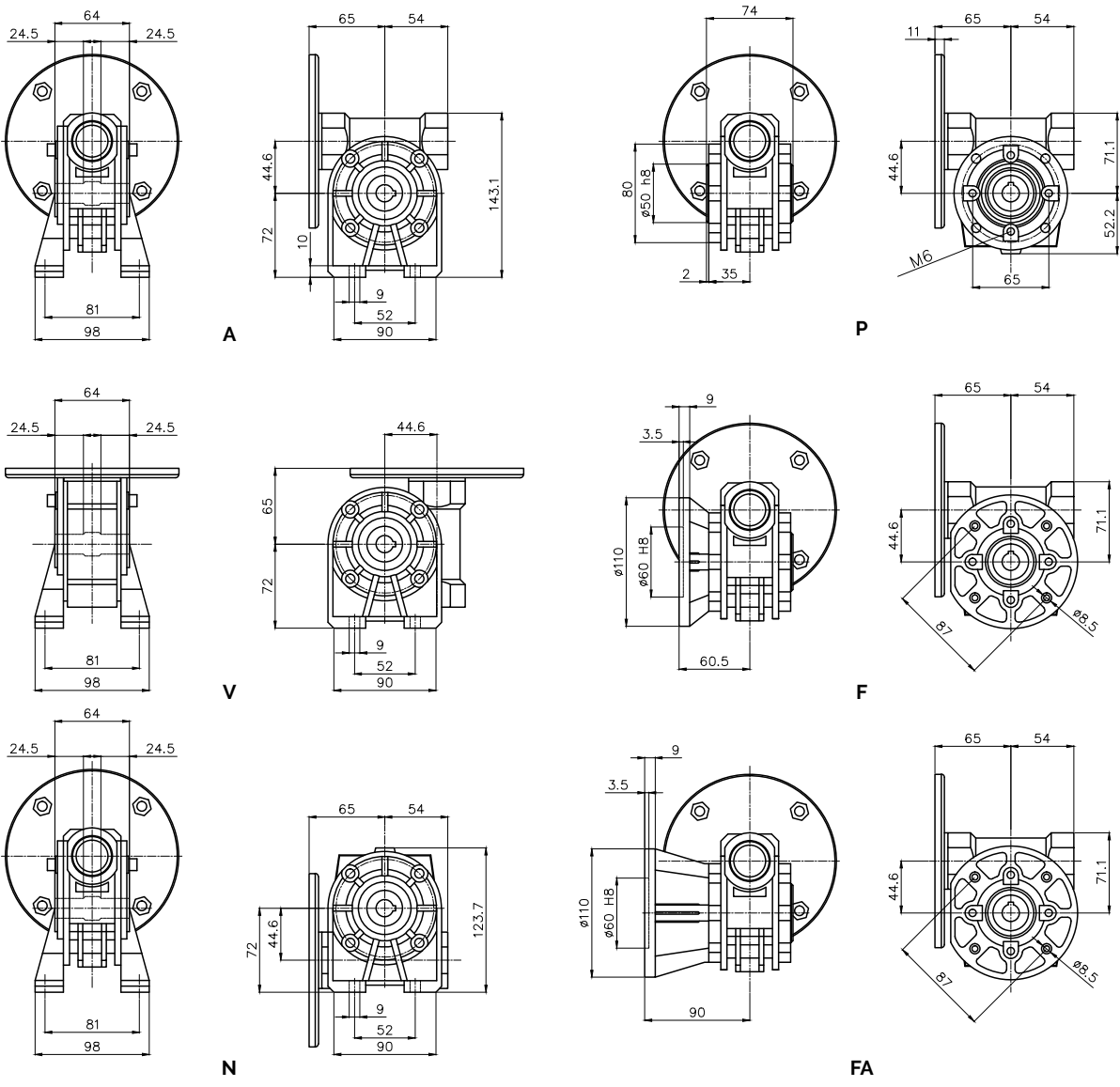
**BVPC 040-050**

| BVPC   | R1  | l2 |
|--------|-----|----|
| 63/040 | 115 | 40 |
| 63/050 | 120 | 40 |
| 71/050 | 129 | 50 |
| 71/063 | 160 | 50 |
| 71/075 | 183 | 50 |
| 80/075 | 203 | 63 |
| 71/090 | 194 | 50 |
| 80/090 | 214 | 63 |

**Data Sheet**

**BV Series - BVPC Type**

| Type          | i-ratio | n2 r/min | Kw=P1 | Nm=T2 | f.s. | PAM IEC |        |
|---------------|---------|----------|-------|-------|------|---------|--------|
| <b>BV 040</b> | 7       | 200      | 0.55* | 22    | 1.4  | 71/63   | B5/B14 |
|               | 10      | 140      | 0.55* | 30    | 1.0  | 71/63   | B5/B14 |
|               | 14      | 100      | 0.37  | 29    | 1.0  | 71/63   | B5/B14 |
|               | 20      | 70       | 0.37  | 38    | 1.0  | 71/63   | B5/B14 |
|               | 28      | 50       | 0.37  | 40    | 0.9  | 71/63   | B5/B14 |
|               | 35      | 40       | 0.25  | 41    | 0.9  | 71/63   | B5/B14 |
|               | 46      | 30       | 0.18  | 37    | 1.0  | 63      | B5/B14 |
|               | 60      | 23       | 0.18  | 37    | 0.9  | 63      | B5/B14 |
|               | 70      | 20       | 0.12  | 33    | 0.9  | 63      | B5/B14 |
|               | 100     | 14       | 0.12  | 30    | 0.9  | 63      | B5/B14 |



**Gearbox Dimensions**